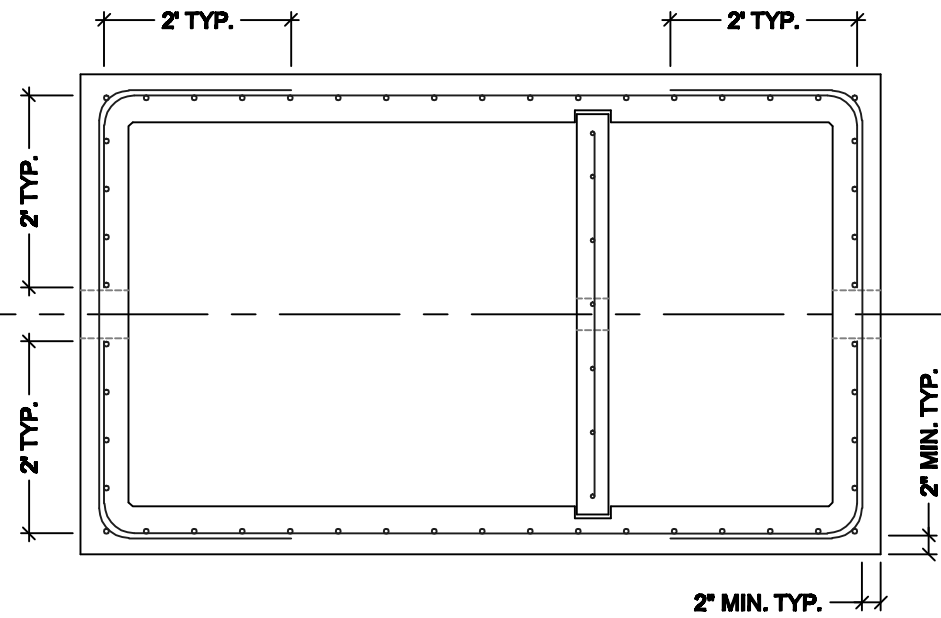
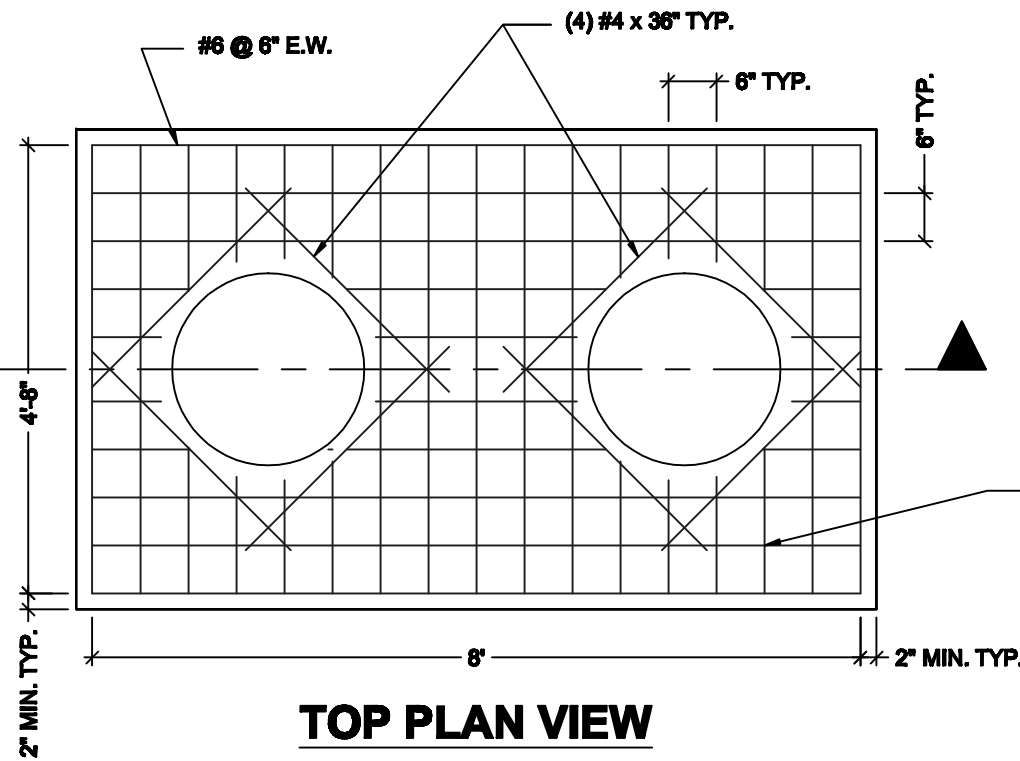


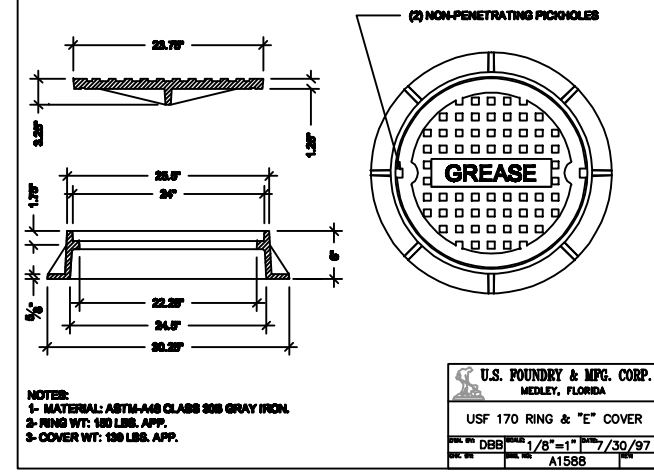
**B**  
S-2



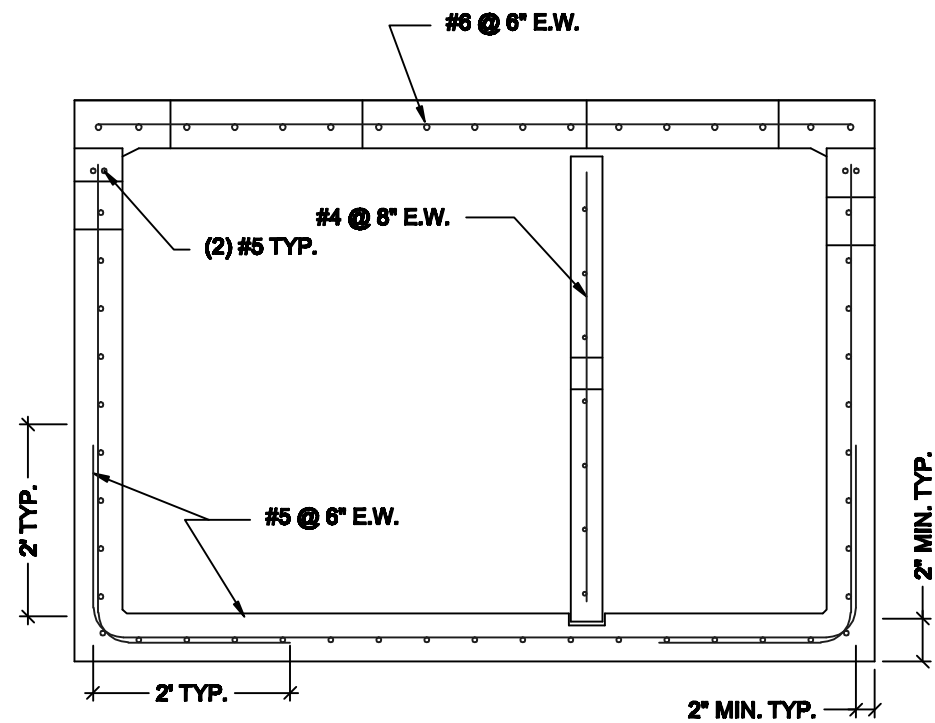
**TANK PLAN VIEW**



**TOP PLAN VIEW**



SHORT DIMENSION STEEL SHALL BE PLACED BELOW LONG DIMENSION STEEL AS SHOWN IN SECTION B



**B SECTION**

**SPECIFICATIONS**

THE STRUCTURAL REINFORCEMENT SYSTEM FOR THIS TANK HAS BEEN DESIGNED IN ACCORDANCE WITH ACI 318-05, ACI 350-05 AND ACI 315-05 FOR AN AASHTO HS-20 TRUCK LOADING WITH THE FOLLOWING CRITERIA:

- MAXIMUM SOIL OVERBURDEN DEPTH IS 8 FEET
- ASSUMED COHESIONLESS SOIL UNIT WEIGHT OF 110 lb/ft<sup>3</sup>
- ASSUMED SOIL INTERNAL FRICTION ANGLE OF 30°
- GROUND WATER ELEVATION ASSUMED AT GRADE
- HYDROSTATIC UPLIFT RESISTANCE PROVIDED BY INSTALLER

**CONCRETE:**

- SHALL BE FROM AN APPROVED SUPPLIER WITH A VERIFIED MIX DESIGN WITH MINIMUM 4000 psi COMPRESSION STRENGTH AT 28 DAYS
- CONCRETE SHALL BE BATCHED, MIXED AND TESTED IN ACCORDANCE WITH ASTM C-94-07 AND OTHER REFERENCED ASTM TEST PROCEDURES

**STEEL:**

- SHALL BE MINIMUM ASTM A615 GRADE 60 DEFORMED BARS (60,000 psi YIELD)
- STEEL SHALL BE FREE FROM OIL, SCALE AND CORROSION AND PLACED IN ACCORDANCE WITH THE TYPICAL BENDING DIAGRAM AND PLACING DETAILS OF ACI STANDARDS AND SPECIFICATIONS
- PROVIDE 2" MINIMUM COVER OVER ALL STEEL
- WHERE NECESSARY, BEND BARS TO PROVIDE MINIMUM 1-INCH CLEARANCE AROUND RUBBER BOOTED HOLES

SEALANT USED AT CONCRETE JOINT SHALL BE CONSEAL CS102 BUTYL RUBBER SEALANT AND SHALL BE INSTALLED IN ACCORDANCE WITH THE MANUFACTURER'S SPECIFICATIONS.

MANHOLE SHALL BE U.S. FOUNDRY & MFG. CORP. RING MODEL USF 170 WITH TYPE "E" COVER LABELED "GREASE"



JOSEPH A. AMON, P.E.  
FLORIDA PROFESSIONAL ENGINEER NO. 43576

DATE OF SIGNATURE

**750 GALLON TANK REINFORCEMENT LAYOUT**

Ardaman & Associates, Inc.  
Geotechnical, Environmental and Materials Consultants

A & L SEPTIC TANKS  
9304 E. COLONIAL DR.  
ORLANDO, FL 32817

DRAWN BY: JEB	CHECKED BY: JAA	DATE: 8-1-07
FILE NO. 07-9627	APPROVED BY:	FIGURE: S-2