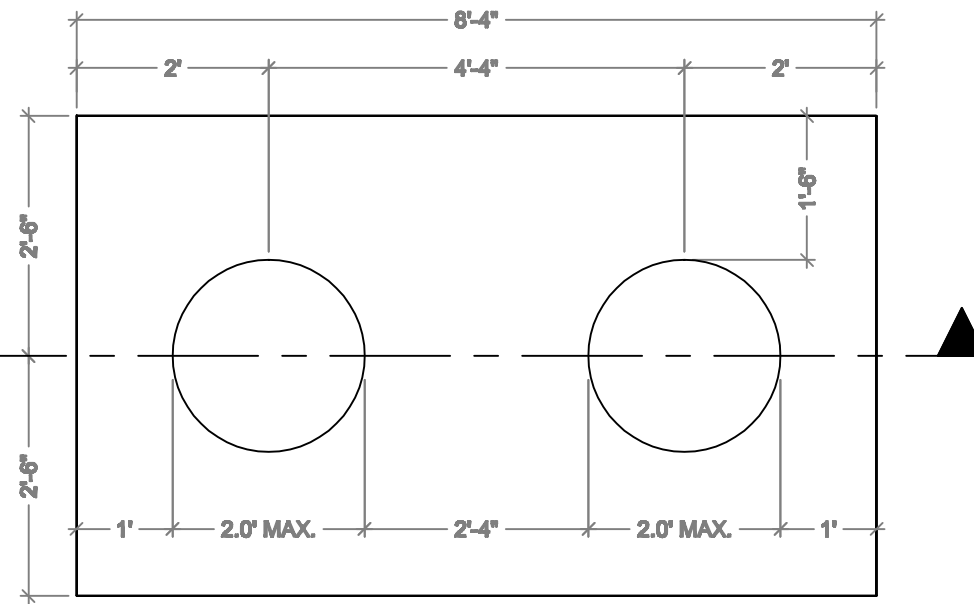
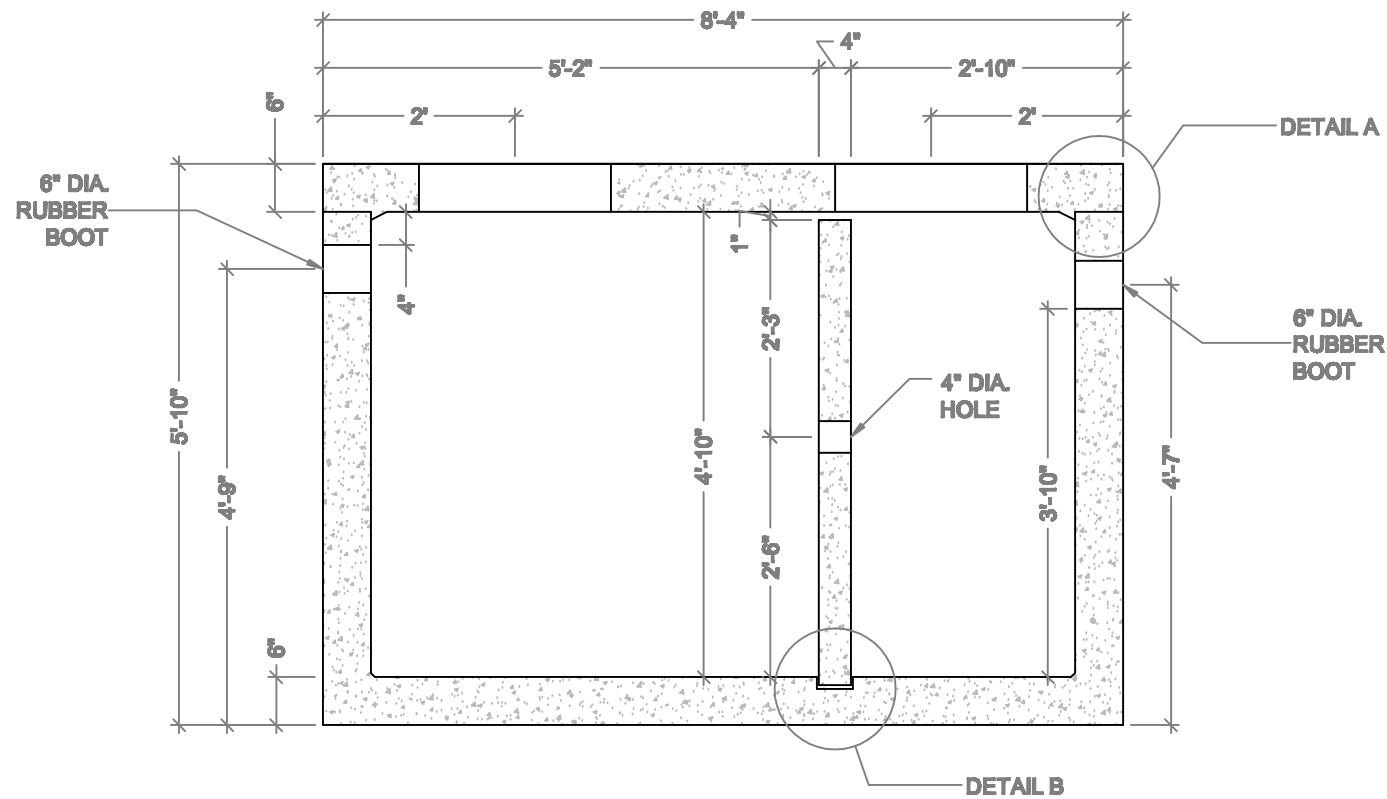


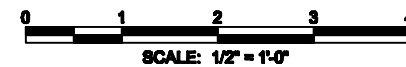
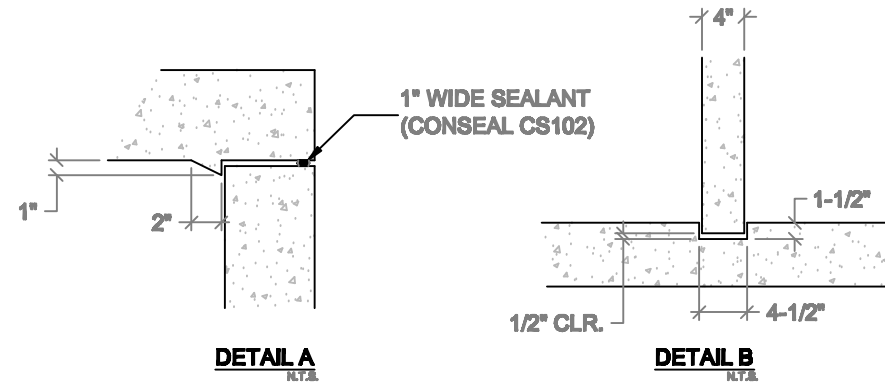
**TANK PLAN VIEW**




**TOP PLAN VIEW**



**A SECTION**



<b>750 GALLON TANK DIMENSIONAL LAYOUT</b>		
 <b>Ardaman &amp; Associates, Inc.</b> Geotechnical, Environmental and Materials Consultants		
<b>A &amp; L SEPTIC TANKS</b> 9304 E. COLONIAL DR. ORLANDO, FL 32817		
DRAWN BY: <b>JEB</b>	CHECKED BY: <b>JAA</b>	DATE: <b>8-1-07</b>
FILE NO. <b>07-9627</b>	APPROVED BY:	FIGURE: <b>S-1</b>
<b>JOSEPH A. AMON, P.E.</b> FLORIDA PROFESSIONAL ENGINEER NO. 43576		
DATE OF SIGNATURE		