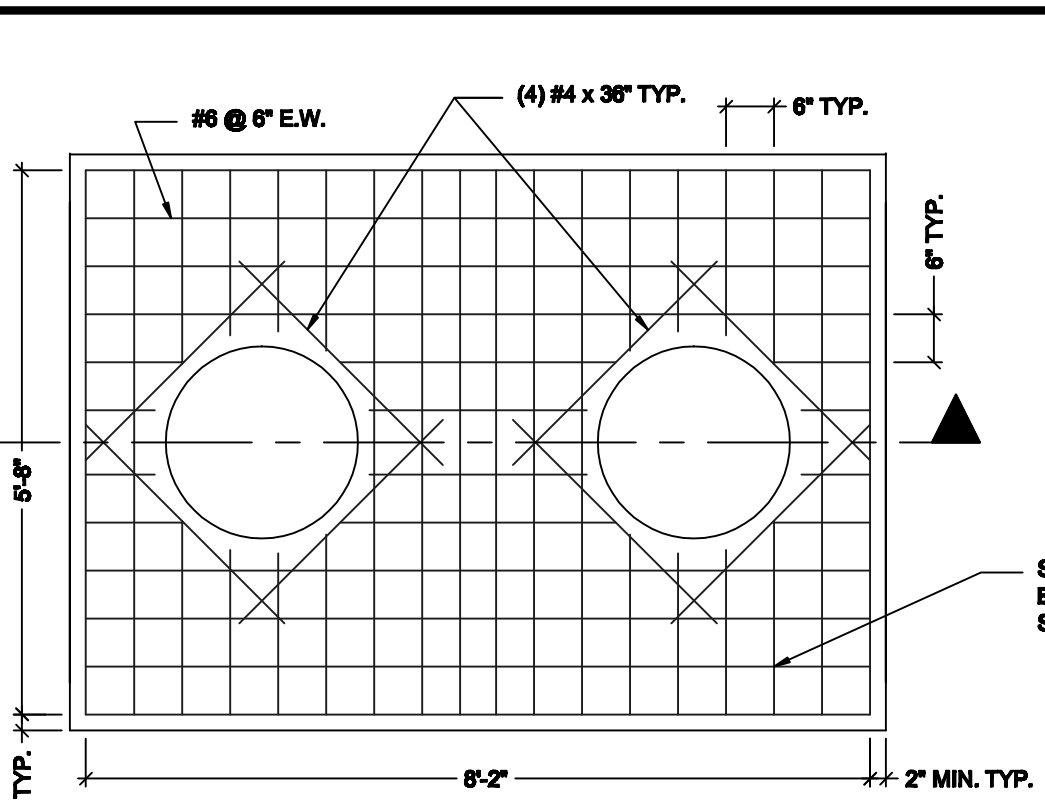
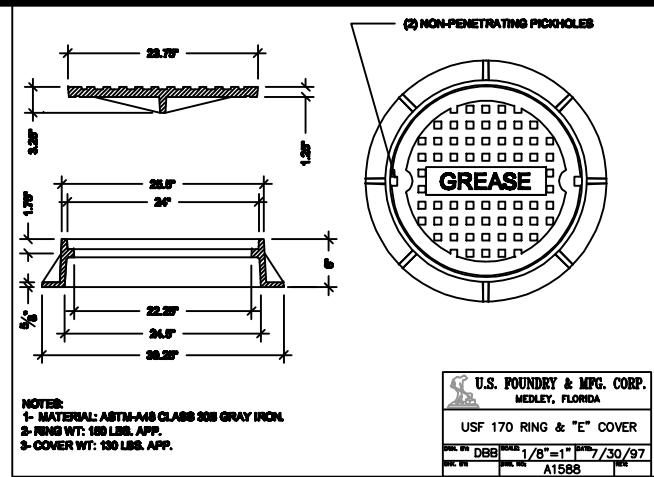


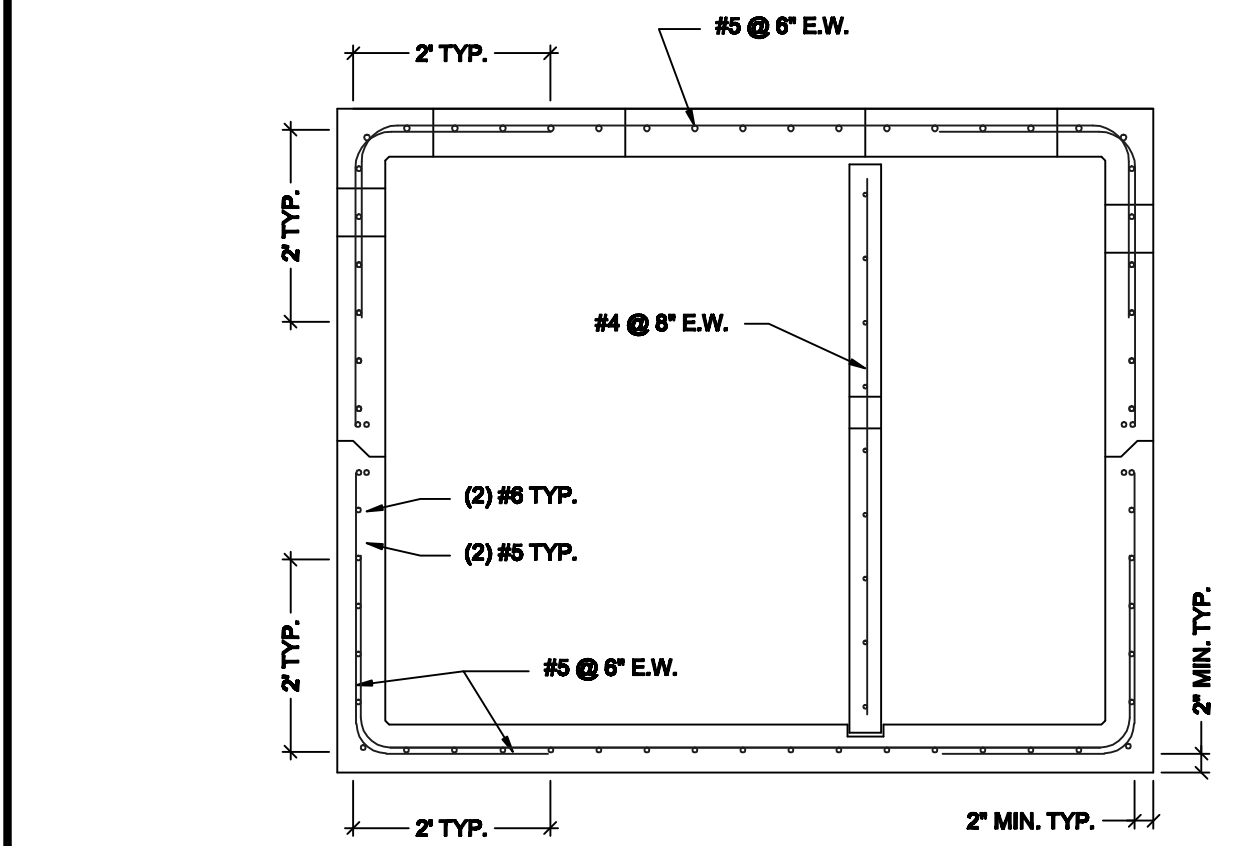
TANK PLAN VIEW



TOP PLAN VIEW



SHORT DIMENSION STEEL SHALL BE PLACED BELOW LONG DIMENSION STEEL AS SHOWN IN SECTION B



SECTION B

SPECIFICATIONS

THE STRUCTURAL REINFORCEMENT SYSTEM FOR THIS TANK HAS BEEN DESIGNED IN ACCORDANCE WITH ACI 318-05, ACI 350-05 AND ACI 315-05 FOR AN AASHTO HS-20 TRUCK LOADING WITH THE FOLLOWING CRITERIA:

- MAXIMUM SOIL OVERBURDEN DEPTH IS 8 FEET
- ASSUMED COHESIONLESS SOIL UNIT WEIGHT OF 110 lb/ft³
- ASSUMED SOIL INTERNAL FRICTION ANGLE OF 30°
- GROUND WATER ELEVATION ASSUMED AT GRADE
- HYDROSTATIC UPLIFT RESISTANCE PROVIDED BY INSTALLER

CONCRETE:

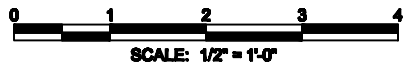
- SHALL BE FROM AN APPROVED SUPPLIER WITH A VERIFIED MIX DESIGN WITH MINIMUM 4000 psi COMPRESSION STRENGTH AT 28 DAYS
- CONCRETE SHALL BE BATCHED, MIXED AND TESTED IN ACCORDANCE WITH ASTM C-94-07 AND OTHER REFERENCED ASTM TEST PROCEDURES

STEEL:

- SHALL BE MINIMUM ASTM A615 GRADE 60 DEFORMED BARS (60,000 psi YIELD)
- STEEL SHALL BE FREE FROM OIL, SCALE AND CORROSION AND PLACED IN ACCORDANCE WITH THE TYPICAL BENDING DIAGRAM AND PLACING DETAILS OF ACI STANDARDS AND SPECIFICATIONS
- PROVIDE 2\"/>

SEALANT USED AT CONCRETE JOINT SHALL BE CONSEAL CS102 BUTYL RUBBER SEALANT AND SHALL BE INSTALLED IN ACCORDANCE WITH THE MANUFACTURER'S SPECIFICATIONS.

MANHOLE SHALL BE U.S. FOUNDRY & MFG. CORP. RING MODEL USF 170 WITH TYPE "E" COVER LABELED "GREASE"



1250 GALLON TANK REINFORCEMENT LAYOUT		
Ardaman & Associates, Inc. Geotechnical, Environmental and Materials Consultants		
A & L SEPTIC TANKS 9304 E. COLONIAL DR. ORLANDO, FL 32817		
DRAWN BY: JEB FILE NO.: 07-9627	CHECKED BY: JAA APPROVED BY:	DATE: 8-1-07 FIGURE: S-2
JOSEPH A. AMON, P.E. FLORIDA PROFESSIONAL ENGINEER NO. 43576 DATE OF SIGNATURE		