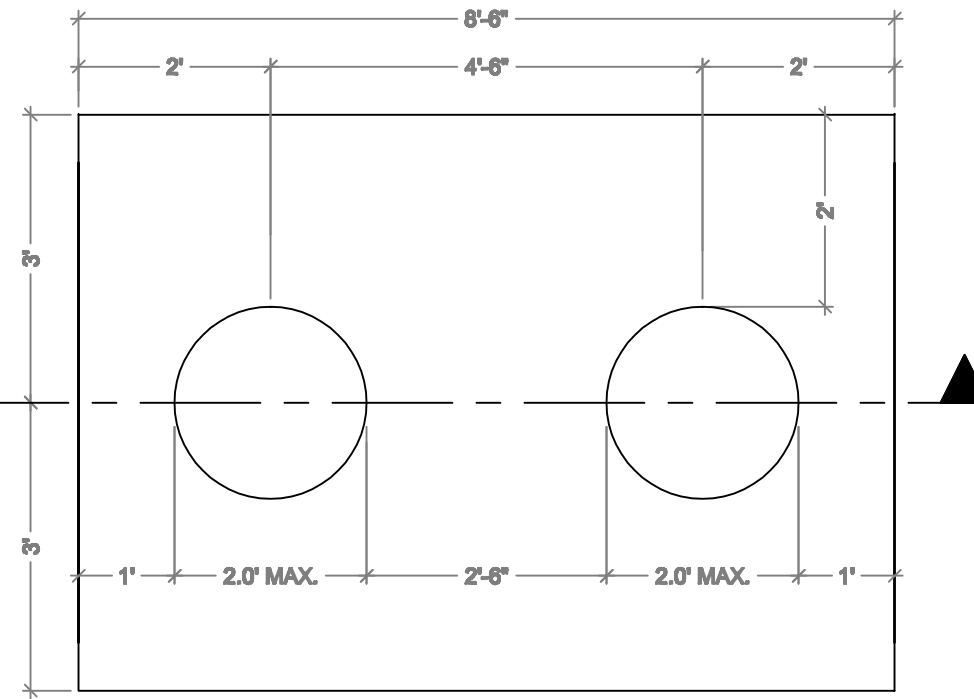
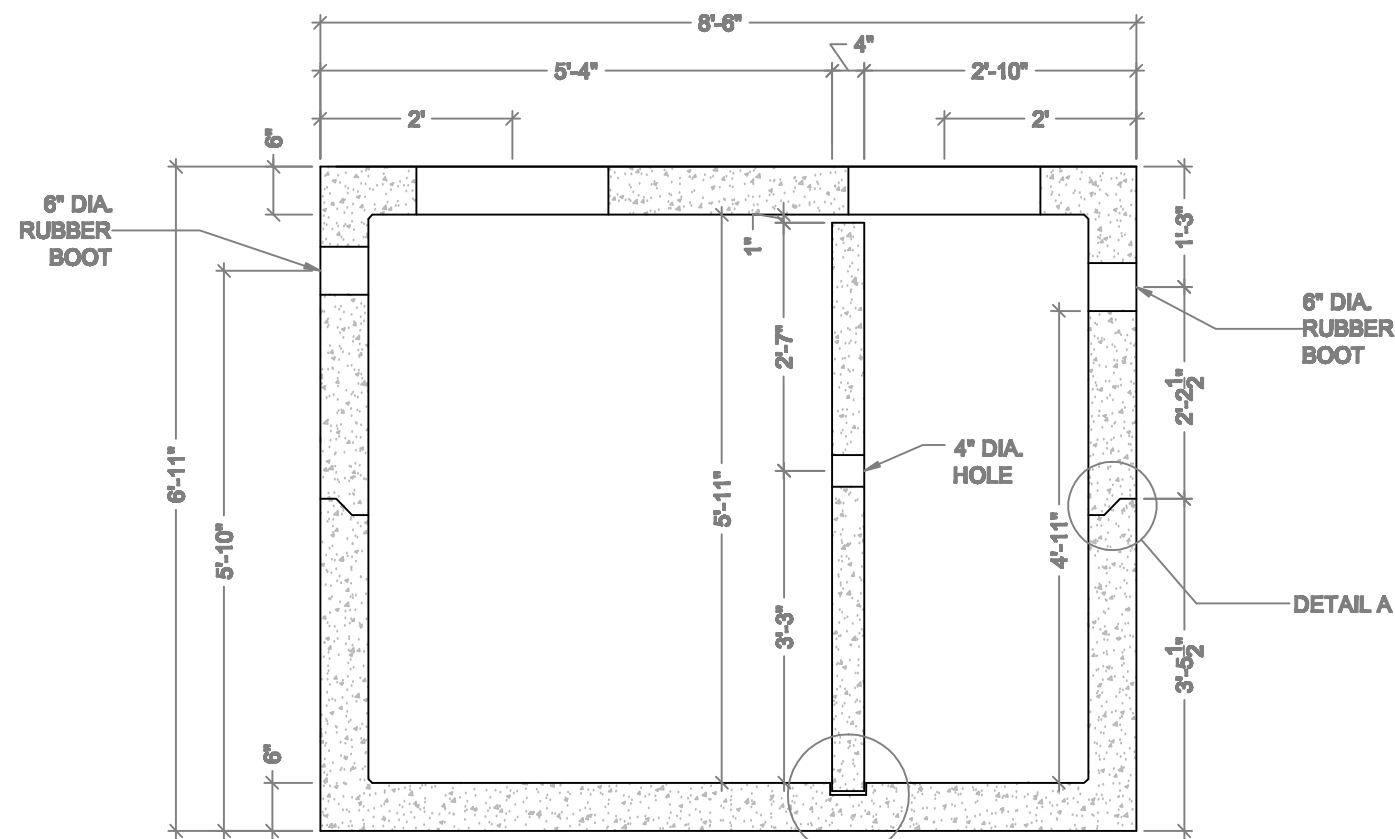


TANK PLAN VIEW

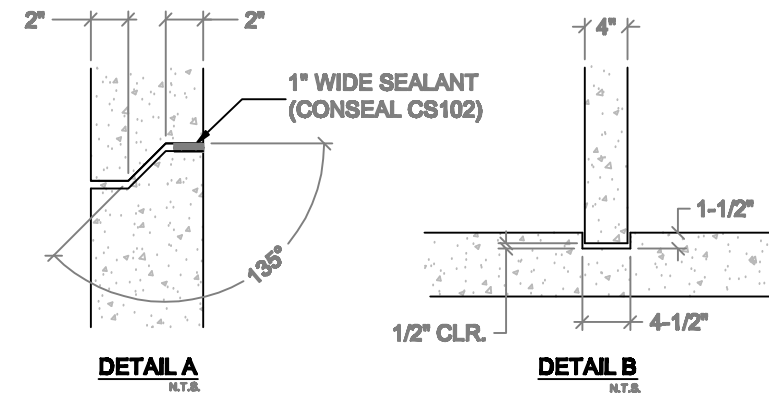
DETAIL B - TYP.



TOP PLAN VIEW



SECTION A



DETAIL A
N.T.S.

DETAIL B
N.T.S.



JOSEPH A. AMON, P.E.
FLORIDA PROFESSIONAL ENGINEER NO. 43576

DATE OF SIGNATURE

**1250 GALLON TANK
DIMENSIONAL LAYOUT**

Ardaman & Associates, Inc.
Geotechnical, Environmental and
Materials Consultants

A & L SEPTIC TANKS
9304 E. COLONIAL DR.
ORLANDO, FL 32817

DRAWN BY: JEB	CHECKED BY: JAA	DATE: 8-1-07
FILE NO. 07-9627	APPROVED BY:	FIGURE: S-1