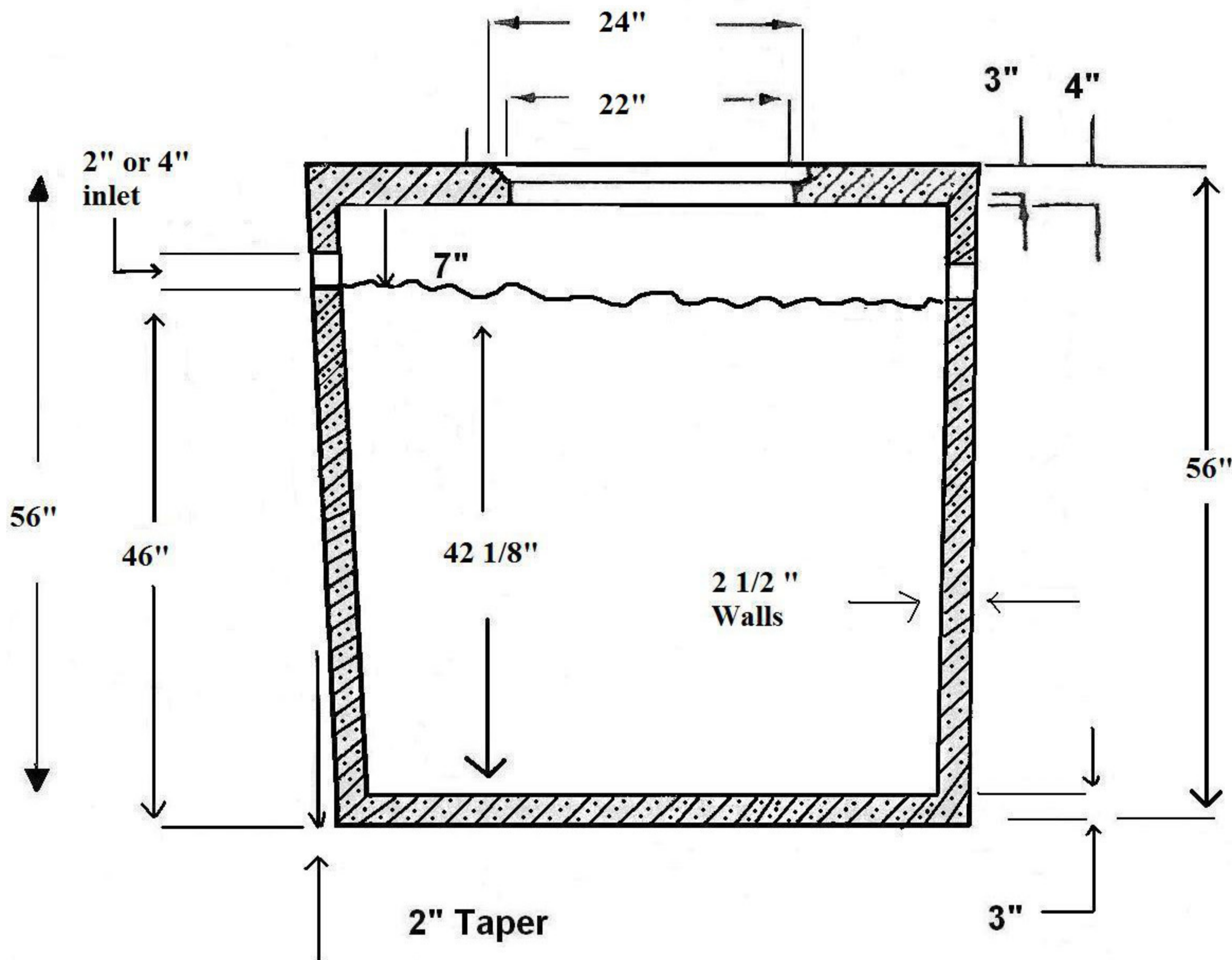
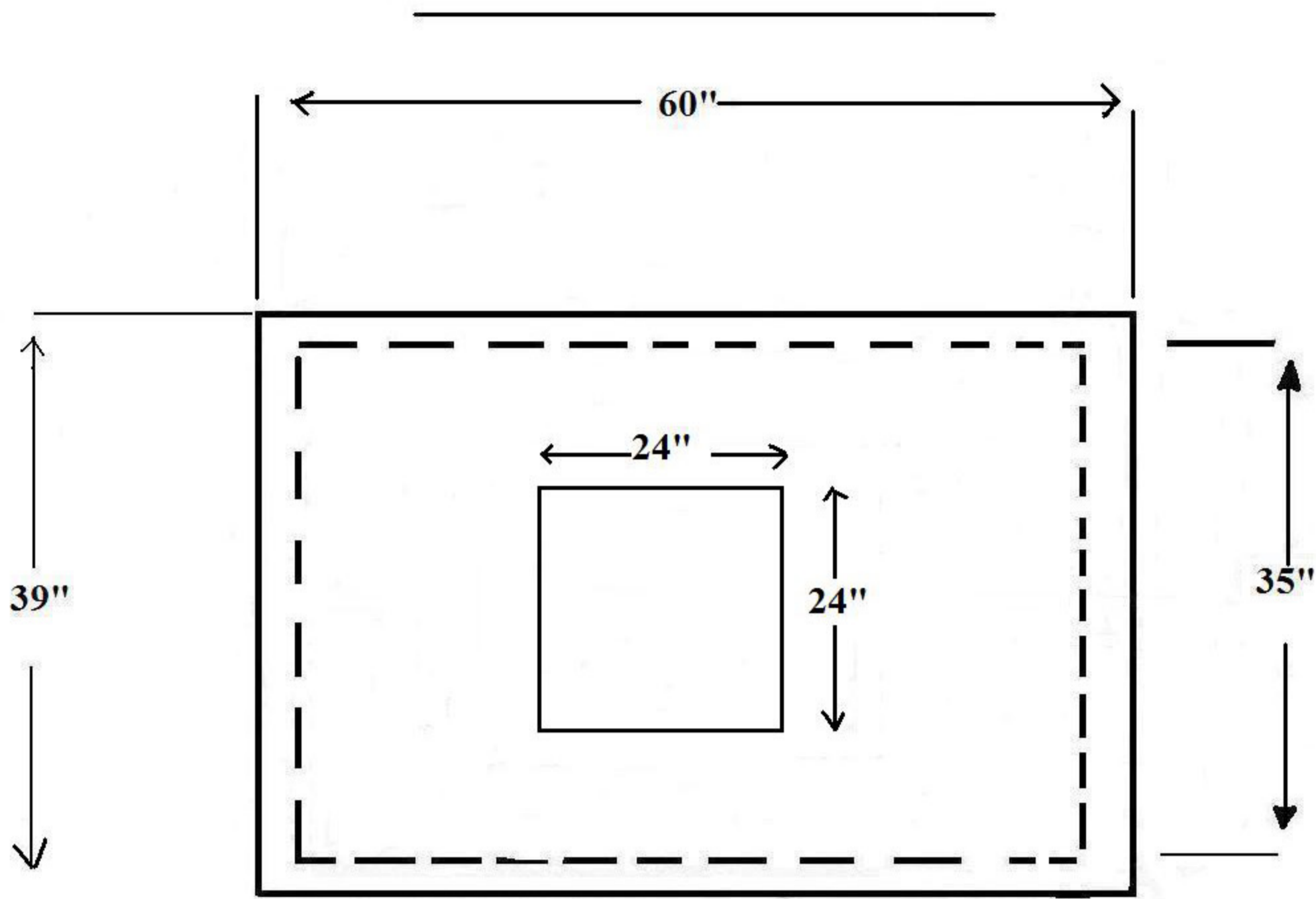


TOP VIEW



SIDE VIEW

**300 Gallon C-4 tank with a standard cover
State Approval # 48-029-90S-C-4**

Manufactured By:

**A&L Septic Tank Products, Inc.
P.O. Box 677878
Orlando FL 32867**